

**Soft Served
Karma Soft Ice Cream Dispenser,
120cones/h (70gr) or 9kg, gravity**

ITEM # _____

MODEL # _____

NAME # _____

SIS # _____

AIA # _____



560027 (KARMAG)

Soft ice cream dispenser with 6,5 l tank capacity and 2,3 l cylinder volume, hourly production: up to 120 cones (75 gr) or 9 kg, gravity version, R452A

Short Form Specification

Item No. _____

Ideal for the preparation of soft serve ice cream and frozen yogurt. Hourly capacity: up to 120 cones (9 kg/h). Defrost/night mode: temperature will settle at 0/+2°C and the product will remain fresh without getting stressed; turning on again the freezing system the product will be ready in a few minutes. Stainless Steel panels. Minimum level warning light. Gravity feeding system.

Main Features

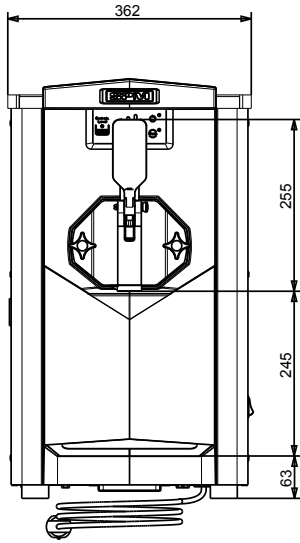
- Ideal for serving of soft serve ice cream and frozen yogurt.
- Defrost/night mode: to activate push on the key with the - symbol until all led lights are off. By this way temperature will settle at 0/+2°C and the product will remain fresh without getting stressed; turning on again the freezing system the product will be ready in a few minutes.
- Minimum level warning light.
- Customizable dispensing lever.
- Small and silent machine.
- Gravity feeding system.
- Hourly capacity (up to): 120 cones (5 kg/h).

Construction

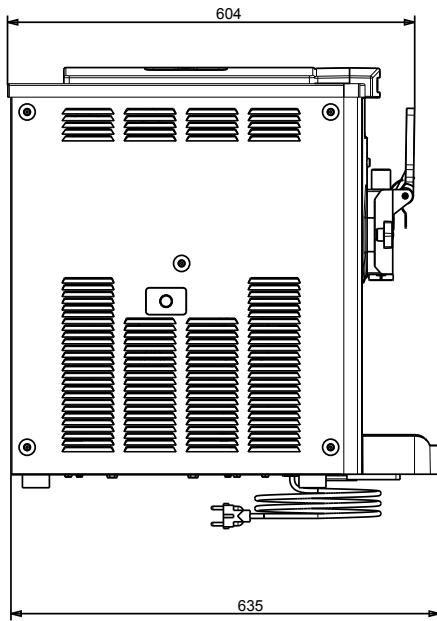
- Stainless Steel panels.

APPROVAL: _____

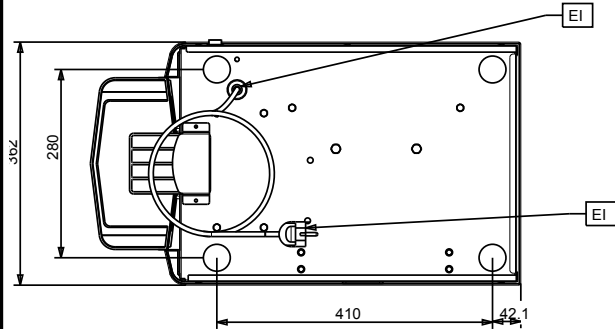
Front



Side



Top





Electrolux
PROFESSIONAL

**Soft Served
Karma Soft Ice Cream Dispenser,
120cones/h (70gr) or 9kg, gravity**

Electric

Supply voltage: 220-240 V/1 ph/50 Hz
Electrical power max: 1.15 kW

Key Information:

Net weight: 70 kg
Freezing cylinder capacity: 2.3 l
Preparation system: gravity
Plug type: CE-SCHUKO

Sustainability

Refrigerant type: R452A
Refrigerant weight: 296 g



**Soft Served
Karma Soft Ice Cream Dispenser, 120cones/h (70gr) or 9kg, gravity**
The company reserves the right to make modifications to the products
without prior notice. All information correct at time of printing.

2025.04.28